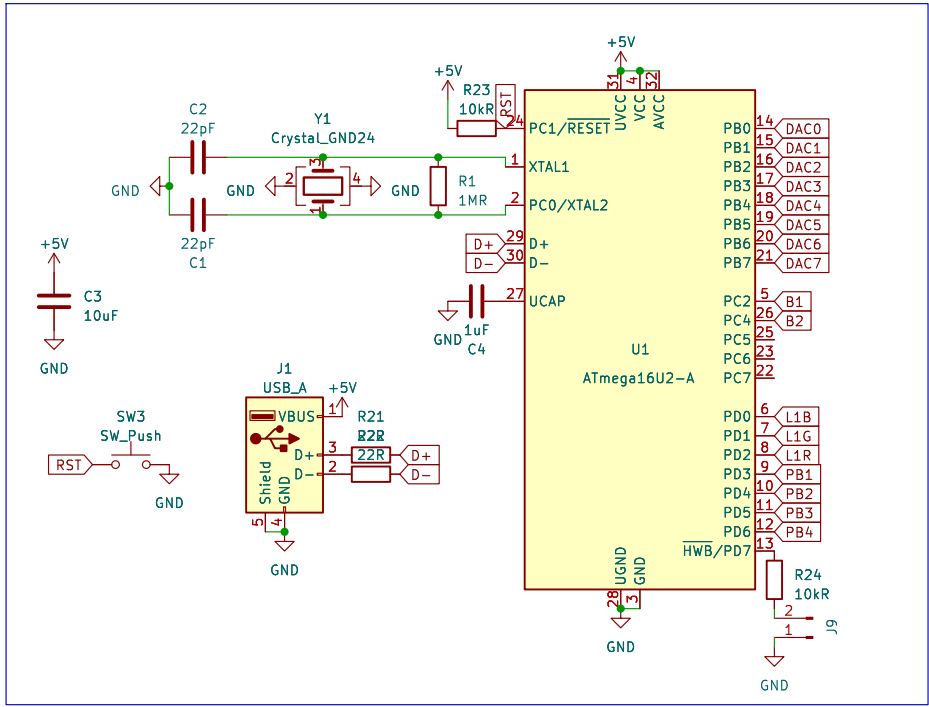
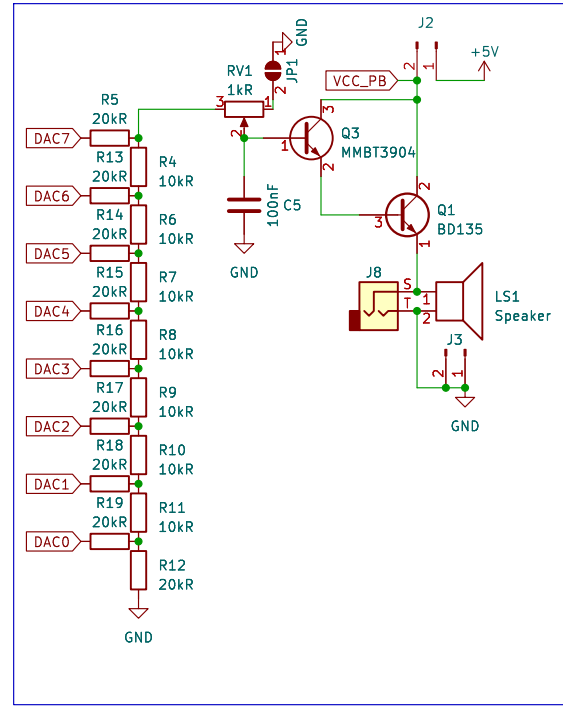


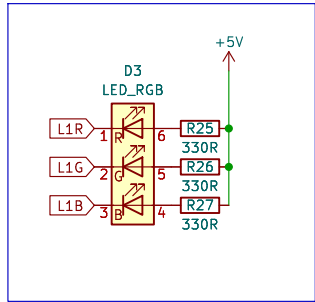
Contrôleur



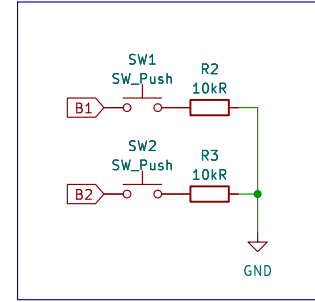
Son



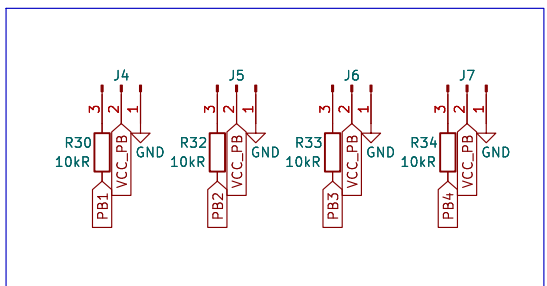
LED



Boutons



Buzzers



Sheet: /	
File: 2023-G1.kicad_sch	
Title:	
Size: A4	Date:
KiCad E.D.A. kicad 7.0.2	Rev: Id: 1/1