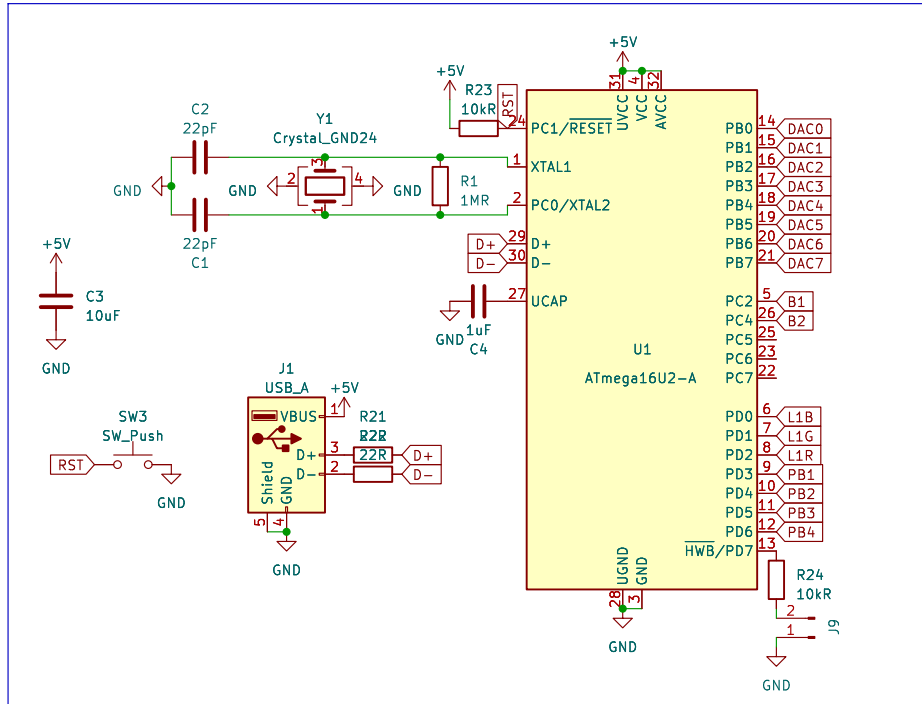
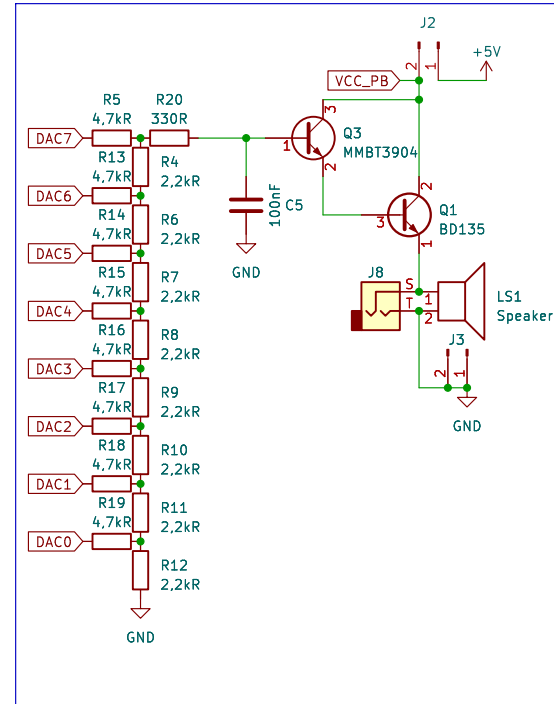


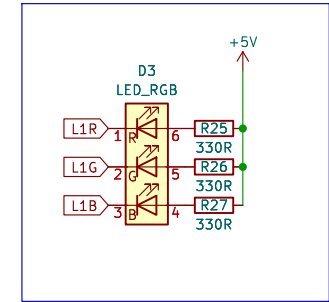
Contrôleur



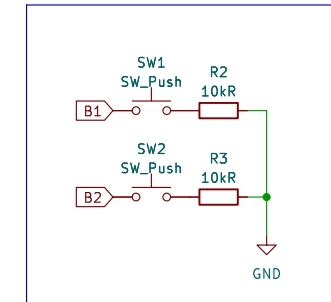
Son



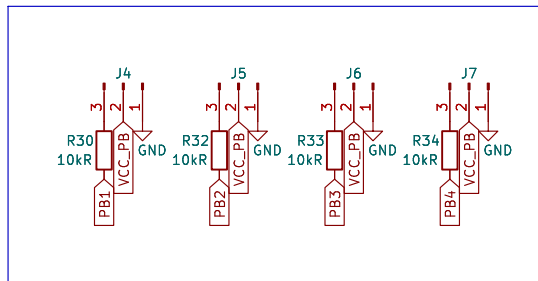
LED



Boutons



Buzzers



Sheet: /
File: 2023-G1.kicad_sch

Title:

Size: A4
KiCad E.D.A. kicad 7.0.2

Date:

Rev:

Id: 1/1