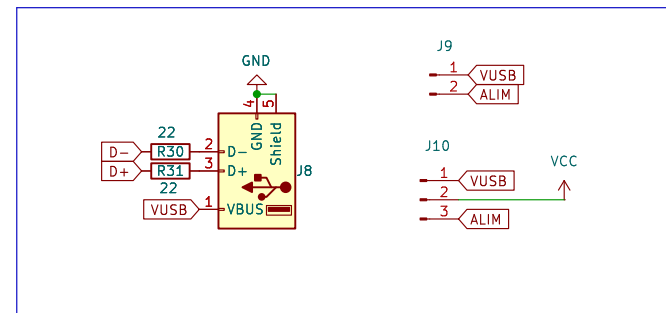
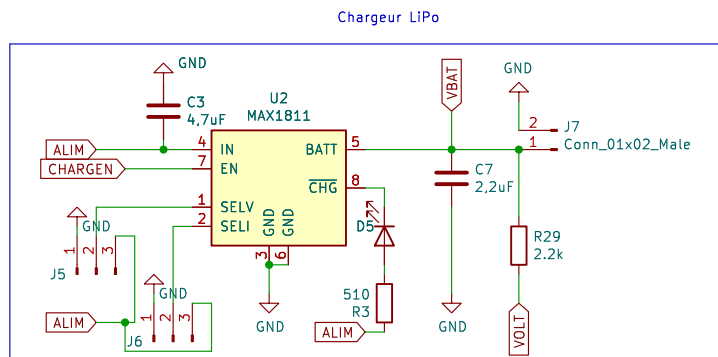
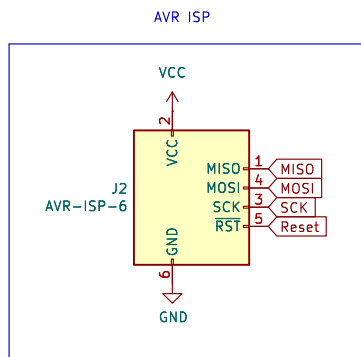


USB données et alimentation



- H1 MountingHole
- H2 MountingHole
- H3 MountingHole

Sheet: /
File: Simon.kicad_sch

Title:

Size: A4 Date:

KiCad E.D.A. 8.0.5

Rev:

Id: 1/1